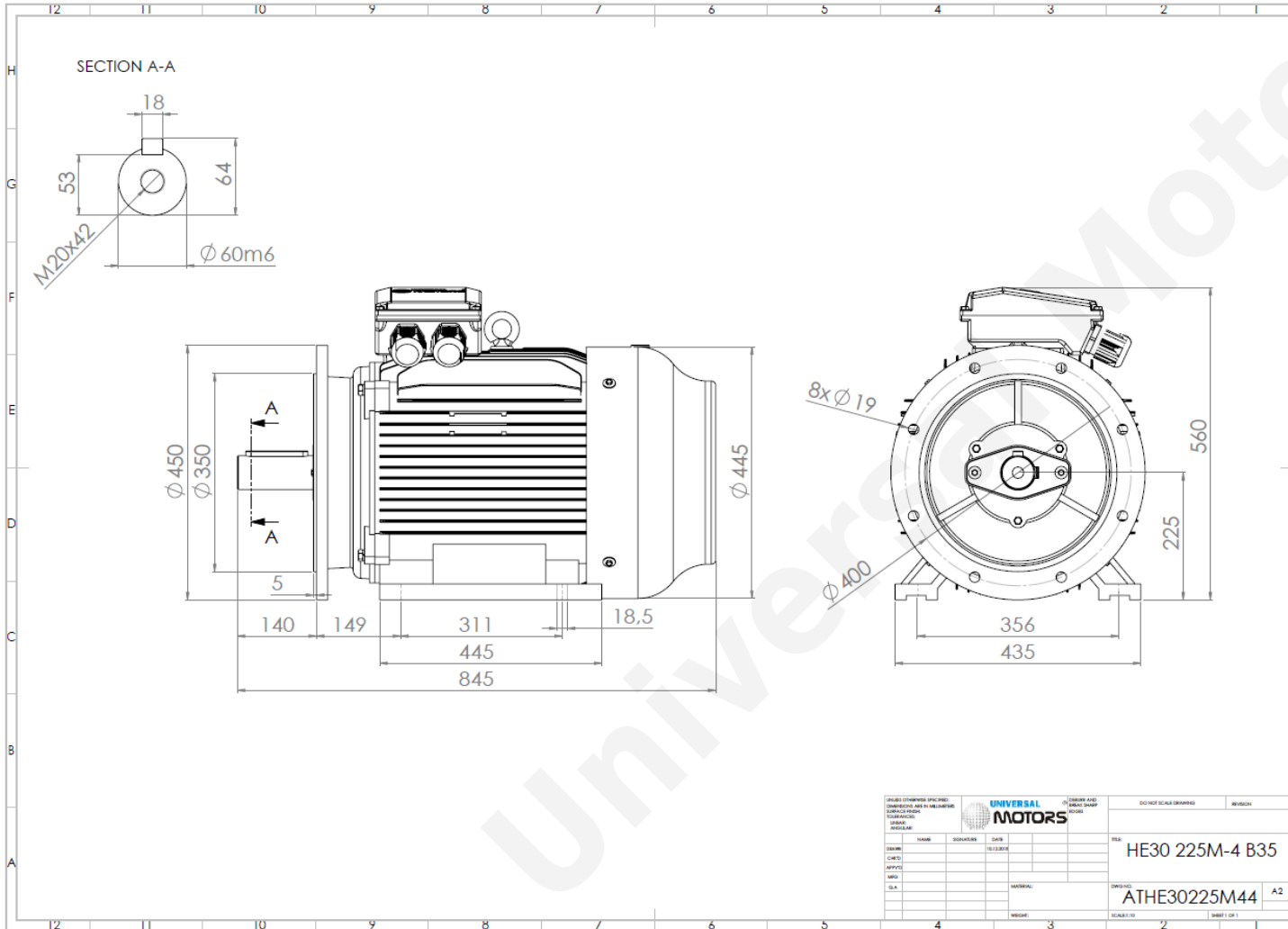




TECHNICAL DATA

Three Phase Electric Motors - Cast Iron Frame
 HE30 225 M-4 IE2
 45 kW / 60 Cv
 1480 RPM



Motor type:	HE30 225 M-4 IE2
Output:	45 kW / 60 Cv
Speed (min ⁻¹):	1480 RPM
Frequency:	50 Hz
Voltage:	400 V
Current:	81.1 A
Power factor (Cos Ø):	0.86
Poles:	4
Insulation class:	F
Temperature rise Class:	B
Efficiency 50%:	92.7 %
Efficiency 75%:	93.3 %
Efficiency 100%:	93.1 %
Torque:	290 N.m
Tstarting/Tnominal:	2.2
Istarting/Inominal:	7.6
Tmaximum/Tnominal:	2.3
Noise:	67 Db(A)
Weight:	344 Kg
Bearing DE:	6313 C3
Bearing NDE:	6313 C3

UNIVERSAL MOTORS		DO NOT SCALE DRAWING		REVISION
DESIGNER	DATE	SCALE	DRAWING NO.	
CHECKED	DATE		HE30 225M-4 B35	
APPROVED	DATE		ATHE30225M44	
DATE			A2	
MATERIAL			SCALE 1:1	
WEIGHT			SHEET 1 OF 1	

Regime - S1

Altitude - 1000m

Environment Temperature - 40°C

CONTACTS:

UNIVERSAL MOTORS Tel: +351 252 299 080
 Rua de São Brás,745 Fax: +351 252 299 089
 4480-782 VILA DO CONDE Mail: geral@universalmotors.pt

* References applied only in the UK